



15W (1/50 HP)

INDUCTION MOTORS Frame size 70mm sq. (2.76 in.sq.)

Single-Phase

LEAD WIRE TYPE

SPECIFICATIONS

CONTINUOUS DUTY, INSULATION CLASS A or E, 4POLES

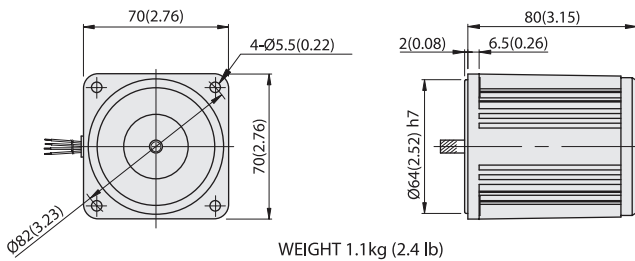
Model	Output		Voltage (V)	Frequency (Hz)	Rated					Starting Torque			Capacitor (μF)	
	(HP)	(W)			Input (W)	Current (A)	Torque			Speed (rpm)	(kg-cm)	(N-m)		(oz-in)
L7115□C	1/50	15	1∅100	50	45	0.4	1.17	0.115	16.25	1250	0.8	0.078	11.11	4
60				45	0.37	0.95	0.093	13.19	1550	0.8	0.078	11.11		
L7115□D	1/50	15	1∅200	50	45	0.2	1.17	0.115	16.25	1250	1	0.098	13.89	1.8
60				45	0.2	0.95	0.093	13.19	1550	1	0.098	13.89		
L7115□B	1/50	15	1∅220	60	45	0.2	0.95	0.093	13.19	1550	1.1	0.108	15.28	1.2
L7115□E	1/50	15	1∅115	60	45	0.4	0.95	0.093	13.19	1550	1	0.098	13.89	4
L7115□X	1/50	15	1∅220~240	50	45	0.19	1.17	0.115	16.25	1250	0.9	0.088	12.50	1.5

- * Model in grey screen represents the motors with THERMALLY PROTECTED according to UL regulation.
- * Model in dark grey screen represents the motors with THERMALLY PROTECTED according to CE regulation.
- * In case of some models certificated for export, the special cord like CE or UL is added after the existing model no. ex) L9160 □XH-CE, L9160 □EH-UL.
- * Insulation class for motors which acquired certificates for export is B.

DIMENSIONS

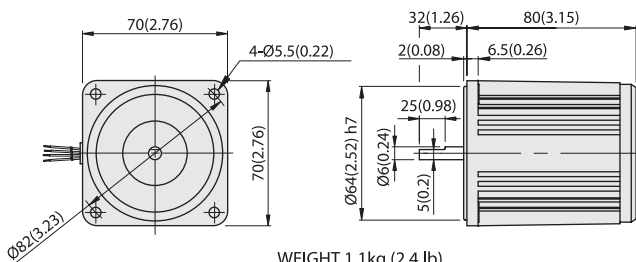
Unit : mm(inch)

L7115P□L



WEIGHT 1.1kg (2.4 lb)

L7115D□

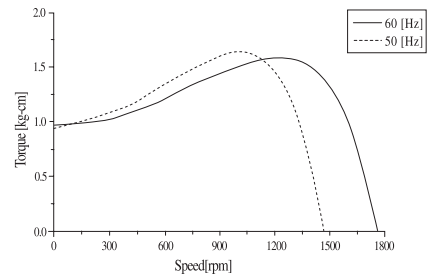


WEIGHT 1.1kg (2.4 lb)

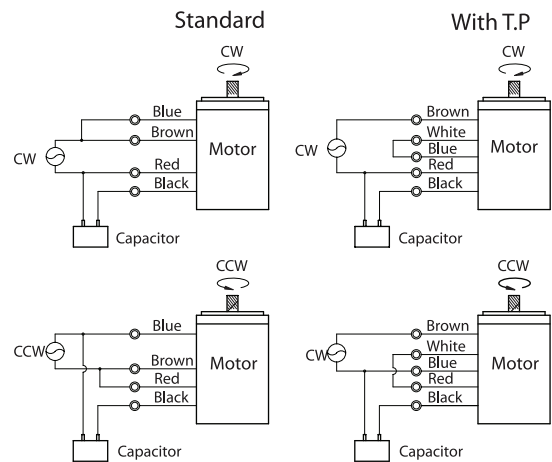


SPEED-TORQUE CURVE

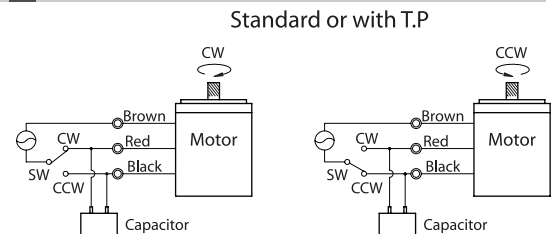
Single phase L7115□□



CONNECTION DIAGRAMS (4-lead wire type)



CONNECTION DIAGRAMS (3-lead wire type)



The direction of rotation is seen from the end of motor shaft.